



**WATER AND
GAS COMBINED**

WATER AND GAS COMBINED

Legend

Codes indicated with numbers:

17xxx.3 supplied with G 3/4" coupling

1. To require chemical nickel plating add NK to the article's code
ex. 17010.3NK

2. To require ceramics water head valve (1/4 turn) add C to the article's code
ex.17010.3C

Technical Information

Water tap supplied with oil bath head valve and sealing in EPDM or with ¼ turn ceramics head valve. Nozzle with possibility of disassembly in compliance with DIN 12898 regulation.
Maximum working pressure 10 Bar.

Gas tap supplied with safety spring lock head ceramic valve.

Fixed Nozzle in compliance with the DIN 12898 regulation.

Gas tap tested at an average pressure of 0.2 Bar, produced in conformity with DIN 12918 norm, and DVGW approved.

Handles in compliance with the EN13792:2000 norm and manufactured in acid - resistant PP.

Threads in compliance with the ISO 228/1 regulation, B tolerance class.

Taps finished with acid-resistant epoxy powder painting.

WATER AND GAS COMBINED

17010.3

1 WATER TAP + 2 GAS TAPS

APPLICATION:

- Bench mounting

DETAILS:

- Water test pressure: 9 Bars/air
- Gas test pressure: 0,2 Bars/air
- Water max working pressure: 10 Bars
- Gas max working pressure: 0,2 Bars

SURFACE PROTECTION:

- Epoxy powder coating RAL 7035

MATERIALS:

- Brass
- Handle in PP

HEADWORK SEALING:

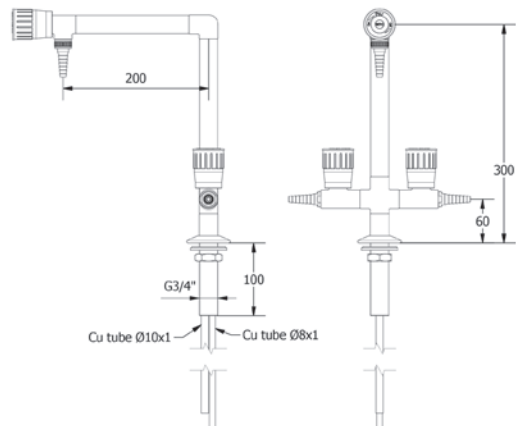
- CERAMIC and Nitrile
- EPDM

CONNECTION TAP:

- Cu tubes $\varnothing 8$ - $\varnothing 10$

STANDARD AND NORMS:

- EN13792:2000
- DIN12898
- DIN12918
- ISO228/1



WEIGHT:

- 3751 gr

WARRANTY 2 YEARS

WATER AND GAS COMBINED

17020.3

2 WATER TAPS + 2 GAS TAPS

APPLICATION:

- Bench mounting

DETAILS:

- Water test pressure: 9 Bars/air
- Gas test pressure: 0,2 Bars/air
- Water max working pressure: 10 Bars
- Gas max working pressure: 0,2 Bars

SURFACE PROTECTION:

- Epoxy powder coating RAL 7035

MATERIALS:

- Brass
- Handle in PP

HEADWORK SEALING:

- CERAMIC and Nitrile
- EPDM

CONNECTION TAP:

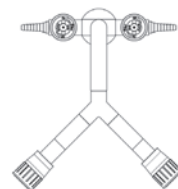
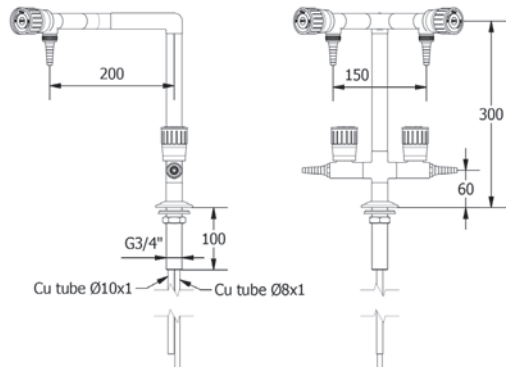
- Cu tubes $\varnothing 8 - \varnothing 10$

STANDARD AND NORMS:

- EN13792:2000
- DIN12898
- DIN12918
- ISO228/1

WEIGHT:

- 4567 gr



WARRANTY 2 YEARS

WATER AND GAS COMBINED

17030.3

2 WATER TAPS + 2 GAS TAPS

APPLICATION:

- Bench mounting

DETAILS:

- Water test pressure: 9 Bars/air
- Gas test pressure: 0,2 Bars/air
- Water max working pressure: 10 Bars
- Gas max working pressure: 0,2 Bars

SURFACE PROTECTION:

- Epoxy powder coating RAL 7035

MATERIALS:

- Brass
- Handle in PP

HEADWORK SEALING:

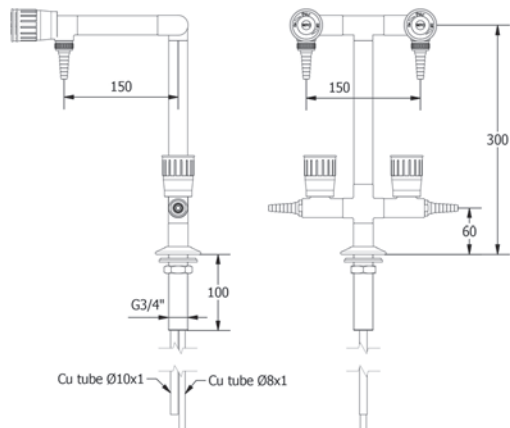
- CERAMIC and Nitrile
- EPDM

CONNECTION TAP:

- Cu tubes $\varnothing 8$ - $\varnothing 10$

STANDARD AND NORMS:

- EN13792:2000
- DIN12898
- DIN12918
- ISO228/1



WEIGHT:

- 4863 gr

WARRANTY 2 YEARS

WATER AND GAS COMBINED

17040.3

2 WATER TAPS + 2 GAS CONNECTIONS

APPLICATION:

- Bench mounting

DETAILS:

- Water test pressure: 9 Bars/air
- Gas test pressure: 0,2 Bars/air
- Water max working pressure: 10 Bars
- Gas max working pressure: 0,2 Bars

SURFACE PROTECTION:

- Epoxy powder coating RAL 7035

MATERIALS:

- Brass
- Handle in PP

HEADWORK SEALING:

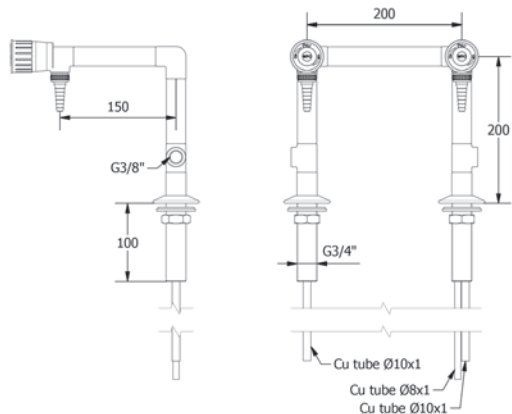
- CERAMIC and Nitrile
- EPDM

CONNECTION TAP:

- Cu tubes $\varnothing 8 - \varnothing 10$

STANDARD AND NORMS:

- EN13792:2000
- DIN12898
- DIN12918
- ISO228/1



WEIGHT:

- 5204 gr

WARRANTY 2 YEARS

WATER AND GAS COMBINED

17050.3

2 WATER TAPS + 2 GAS TAPS

APPLICATION:

- Bench mounting

DETAILS:

- Water test pressure: 9 Bars/air
- Gas test pressure: 0,2 Bars/air
- Water max working pressure: 10 Bars
- Gas max working pressure: 0,2 Bars

SURFACE PROTECTION:

- Epoxy powder coating RAL 7035

MATERIALS:

- Brass
- Handle in PP

HEADWORK SEALING:

- CERAMIC and Nitrile
- EPDM

CONNECTION TAP:

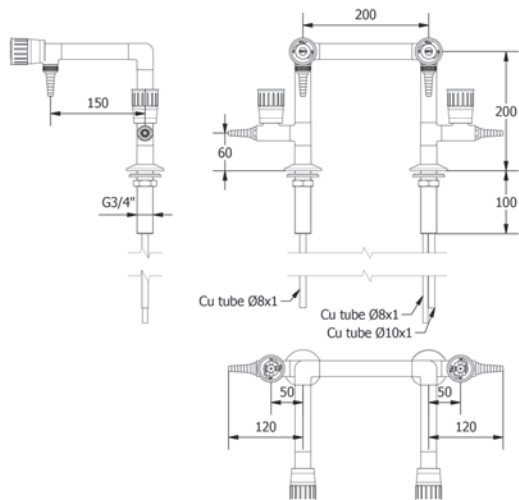
- Cu tubes $\varnothing 8 - \varnothing 10$

STANDARD AND NORMS:

- EN13792:2000
- DIN12898
- DIN12918
- ISO228/1

WEIGHT:

- 5897 gr



WARRANTY 2 YEARS

WATER AND GAS COMBINED

17060.3

2 WATER TAPS + 4 GAS TAPS

APPLICATION:

- Bench mounting

DETAILS:

- Water test pressure: 9 Bars/air
- Gas test pressure: 0,2 Bars/air
- Water max working pressure: 10 Bars
- Gas max working pressure: 0,2 Bars

SURFACE PROTECTION:

- Epoxy powder coating RAL 7035

MATERIALS:

- Brass
- Handle in PP

HEADWORK SEALING:

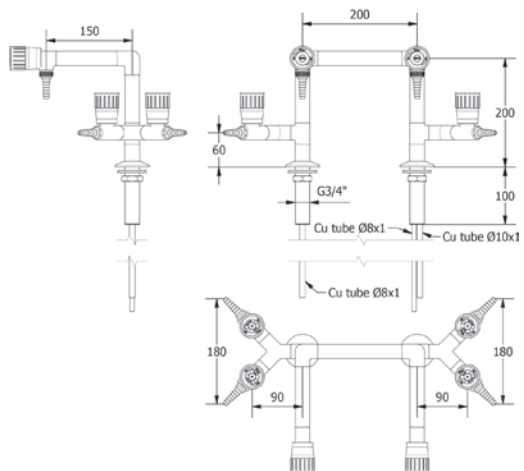
- CERAMIC and Nitrile
- EPDM

CONNECTION TAP:

- Cu tubes $\varnothing 8$ - $\varnothing 10$

STANDARD AND NORMS:

- EN13792:2000
- DIN12898
- DIN12918
- ISO228/1



WEIGHT:

- 7254 gr

WARRANTY 2 YEARS

WATER AND GAS COMBINED

17080.3

4 WATER TAPS + 4 GAS TAPS

APPLICATION:

- Bench mounting

DETAILS:

- Water test pressure: 9 Bars/air
- Gas test pressure: 0,2 Bars/air
- Water max working pressure: 10 Bars
- Gas max working pressure: 0,2 Bars

SURFACE PROTECTION:

- Epoxy powder coating RAL 7035

MATERIALS:

- Brass
- Handle in PP

HEADWORK SEALING:

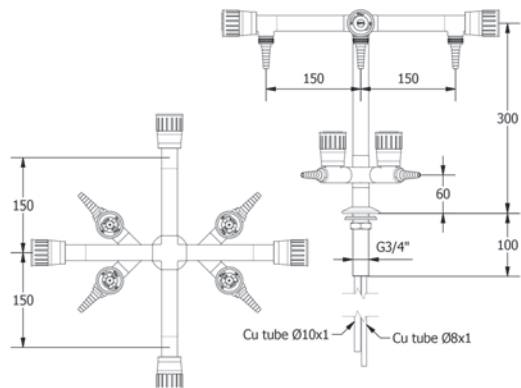
- CERAMIC and Nitrile
- EPDM

CONNECTION TAP:

- Cu tubes $\varnothing 8$ - $\varnothing 10$

STANDARD AND NORMS:

- EN13792:2000
- DIN12898
- DIN12918
- ISO228/1



WEIGHT:

- 7243 gr

WARRANTY 2 YEARS



NUOVA FAR s.r.l.

Via Giacomo Matteotti, 88/bis - 28077 Prato Sesia - NOVARA- Italy
tel +39 0163 852.634 +39 0163 852.891 fax +39 0163 850.663
info@farlabs.com www.farlabs.com