

PURE WATER



# PURE WATER

---

## Technical Information

NUOVA FAR S.r.l. engineered a new PP taps line to satisfy the need of prevent any damage of the pure waters. This new line is made in RAL7032 colour, and allow that the water erogated goes in touch only with PP and never with metals or other contaminating materials. The open and close system is a PP ceramic headwork with 90° rotation and can work up to 6 bars pressure.

All the models made in PP are supplied with a G1/2" male threaded leg, and a female G1/4" thread that allow to screw inside a connector in PP for tube diameter external mm8 and internal mm6. The threaded leg also have a double flat Ch.17 for an easier closing of the fixing nut and for an easier assembly of the PP tube connector inside.

All the taps are also supplied with a PP rosetta, with laser printed the chemical abbreviation of the water following the EN13792 norm, as also the textual indication. All the taps are supplied with removable nozze G1/2".

# PURE WATER

# 11010.2PPR

## STRAIGHT PURE WATER PP TAP

### APPLICATION:

- Wall mounting

### DETAILS:

- Waterflow around 10l/min at 3 Bars pressure
- Test pressure: 6 Bars/air
- Max working pressure: 6 Bars

### CONTACT MATERIALS:

- PP RAL7032
- Ceramic

### HEADWORK SEALING:

- CERAMIC temperature working range: 0-50°

### CONNECTION TAP:

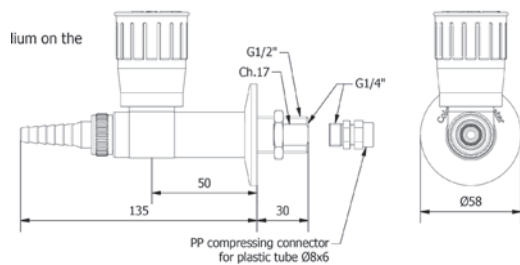
- Male thread G1/2" - Female G1/4"

### STANDARD AND NORMS:

- EN13792:2000
- DIN12898
- DIN12918
- ISO228/1

### OPTIONS:

- Laser printed medium on the rosetta



### WEIGHT:

- 153 gr

WARRANTY 2 YEARS

# PURE WATER

# 11012.2PPR

## WALL MOUNTED PURE WATER PP TAP

### APPLICATION:

- Wall mounting

### DETAILS:

- Waterflow around 10l/min at 3 Bars pressure
- Test pressure: 6 Bars/air
- Max working pressure: 6 Bars

### CONTACT MATERIALS:

- PP RAL7032
- Ceramic

### HEADWORK SEALING:

- CERAMIC temperature working range: 0-50°

### CONNECTION TAP:

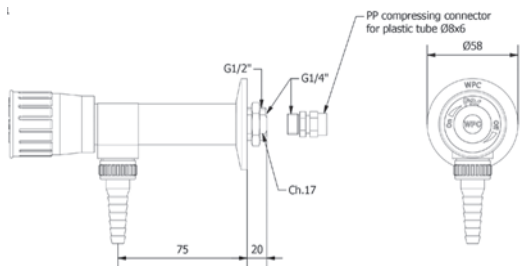
- Male thread G1/2" - Female G1/4"

### STANDARD AND NORMS:

- EN13792:2000
- DIN12898
- DIN12918
- ISO228/1

### OPTIONS:

- Laser printed medium on the rosetta



### WEIGHT:

- 152 gr

WARRANTY 2 YEARS

# PURE WATER

# 11031.2PPR

WALL MOUNTED PURE WATER PP TAP WITH SWIVELLING SPOUT

## APPLICATION:

- Wall mounting

## DETAILS:

- Waterflow around 10l/min at 3 Bars pressure
- Test pressure: 6 Bars/air
- Max working pressure: 6 Bars

## CONTACT MATERIALS:

- PP RAL7032
- Ceramic

## HEADWORK SEALING:

- CERAMIC temperature working range: 0-50°

## CONNECTION TAP:

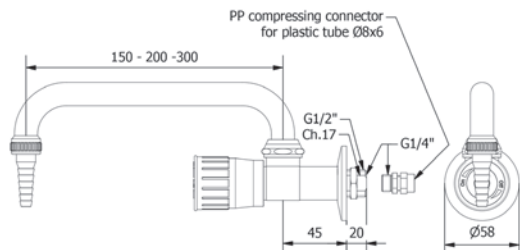
- Male thread G1/2" - Female G1/4"

## STANDARD AND NORMS:

- EN13792:2000
- DIN12898
- DIN12918
- ISO228/1

## OPTIONS:

- Laser printed medium on the rosetta



## WEIGHT:

- 309 gr

WARRANTY 2 YEARS

# PURE WATER

# 11071.3PPR

## BENCH MOUNTED PURE WATER PP TAP WITH SWIVELLING SPOUT

### APPLICATION:

- Bench mounting

### DETAILS:

- Waterflow around 10l/min at 3 Bars pressure
- Test pressure: 6 Bars/air
- Max working pressure: 6 Bars

### CONTACT MATERIALS:

- PP RAL7032
- Ceramic

### HEADWORK SEALING:

- CERAMIC temperature working range: 0-50°

### CONNECTION TAP:

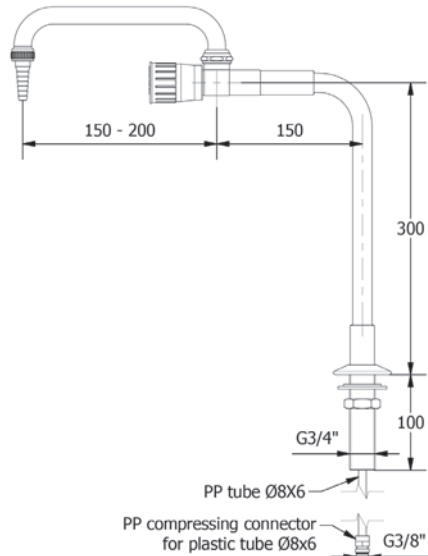
- Male thread G3/4" - G3/8"

### STANDARD AND NORMS:

- EN13792:2000
- DIN12898
- DIN12918
- ISO228/1

### WEIGHT:

- 935 gr



WARRANTY 2 YEARS

# PURE WATER

# 11080.2PPR

## BENCH MOUNTED PURE WATER PP TAP WITH SWIVELLING SPOUT

### APPLICATION:

- Bench mounting

### DETAILS:

- Waterflow around 10l/min at 3 Bars pressure
- Test pressure: 6 Bars/air
- Max working pressure: 6 Bars

### CONTACT MATERIALS:

- PP RAL7032
- Ceramic

### HEADWORK SEALING:

- CERAMIC temperature working range: 0-50°

### CONNECTION TAP:

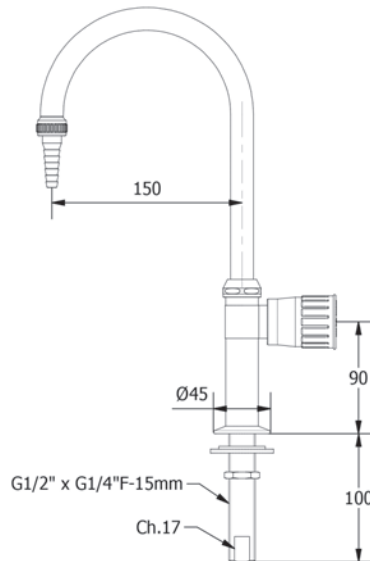
- Male thread G1/2" - Female G1/4"

### STANDARD AND NORMS:

- EN13792:2000
- DIN12898
- DIN12918
- ISO228/1

### WEIGHT:

- 375 gr



WARRANTY 2 YEARS

# PURE WATER

# 11250.3PPR

## PURE WATER PP COLUMN WITH REMOVABLE NOZZLE

### APPLICATION:

- Bench mounting

### DETAILS:

- Waterflow around 10l/min at 3 Bars pressure
- Test pressure: 6 Bars/air
- Max working pressure: 6 Bars

### CONTACT MATERIALS:

- PP RAL7032
- Ceramic

### HEADWORK SEALING:

- CERAMIC temperature working range: 0-50°

### CONNECTION TAP:

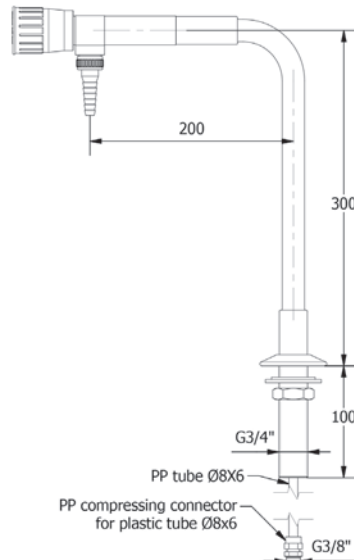
- Male thread G3/4" - G3/8"

### STANDARD AND NORMS:

- EN13792:2000
- DIN12898
- DIN12918
- ISO228/1

### WEIGHT:

- 588 gr



WARRANTY 2 YEARS



# PURE WATER

# 11310.0PPR

REMOTE CONTROL FOR PURE WATER IN PP

## APPLICATION:

- Wall mounting

## DETAILS:

- Waterflow around 10l/min at 3 Bars pressure
- Test pressure: 6 Bars/air
- Max working pressure: 6 Bars

## CONTACT MATERIALS:

- PP RAL7032

## HEADWORK SEALING:

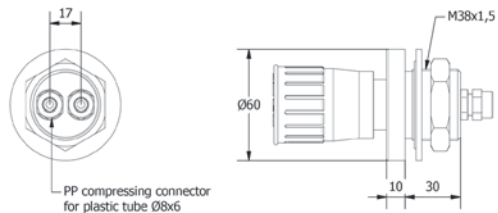
- CERAMIC temperature working range: 0-50°

## CONNECTION TAP:

- Female thread G1/4" - Connector for tube  $\varnothing 8 \times 6$

## STANDARD AND NORMS:

- EN13792:2000
- DIN12918
- ISO228/1



PP compressing connector for plastic tube  $\varnothing 8 \times 6$

## WEIGHT:

- 260 gr

WARRANTY 2 YEARS

# PURE WATER

# 11321.2PPR

## WALL MOUNTED PURE WATER PP SPOUT

### APPLICATION:

- Wall mounting

### CONTACT MATERIALS:

- PP RAL7032

### CONNECTION TAP:

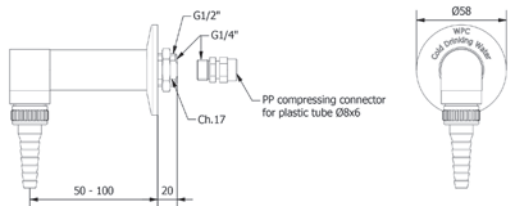
- Male thread G1/2" - Female G1/4"

### STANDARD AND NORMS:

- EN13792:2000
- DIN12898
- DIN12918
- ISO228/1

### OPTIONS:

- Laser printed medium on the rosetta



### WEIGHT:

- 75 gr

WARRANTY 2 YEARS

# PURE WATER

# 11323.2PPR

## PURE WATER PP SWIVELLING SPOUT

### APPLICATION:

- Wall mounting

### CONTACT MATERIALS:

- PP RAL7032

### CONNECTION TAP:

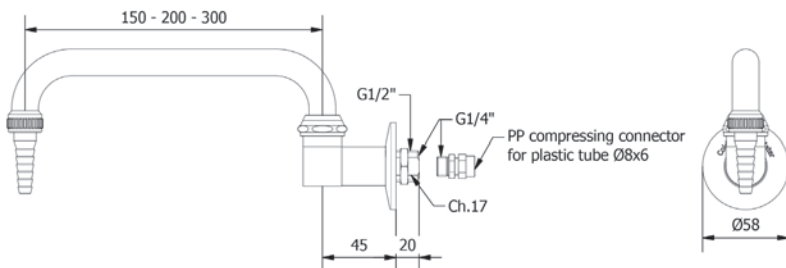
- Male thread G1/2"

### STANDARD AND NORMS:

- EN13792:2000
- DIN12898
- DIN12918
- ISO228/1

### OPTIONS:

- Laser printed medium on the rosetta



### WEIGHT:

- 231 gr

WARRANTY 2 YEARS



NUOVA FAR s.r.l.

Via Giacomo Matteotti, 88/bis - 28077 Prato Sesia - NOVARA- Italy  
tel +39 0163 852.634 +39 0163 852.891 fax +39 0163 850.663  
[info@farlabs.com](mailto:info@farlabs.com) [www.farlabs.com](http://www.farlabs.com)