

# ELECTRICAL SOCKET HOLDER



# ELECTRICAL SOCKET HOLDER

---

## Legend

Codes indicated with numbers:

**19xxx.3** supplied with G 3/4" coupling

## Technical Information

The electrical socket supports for power supply are manufactured in compliance with the quality and safety regulation, manufactured in fire-proof and V-O glass Nylon, **UL** tested and approved.

# ELECTRICAL SOCKET HOLDER

## 19800.3

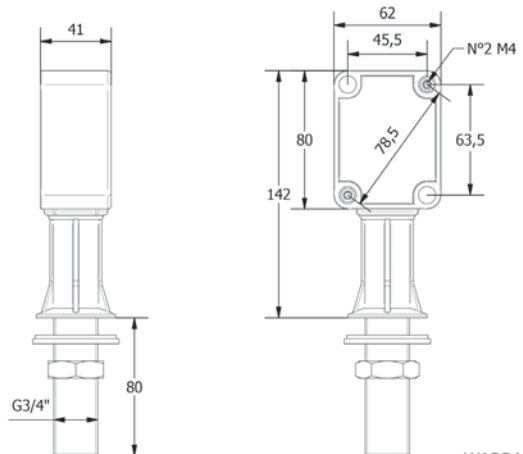
### 1-WAY SOCKET HOLDER

#### APPLICATION:

- Bench mounting
- For Schuko Electrical Socket “Palazzoli” model

#### CONNECTION TAP:

- Male thread G3/4”



#### WEIGHT:

- 199 gr

WARRANTY 2 YEARS

# ELECTRICAL SOCKET HOLDER

# 19801.3

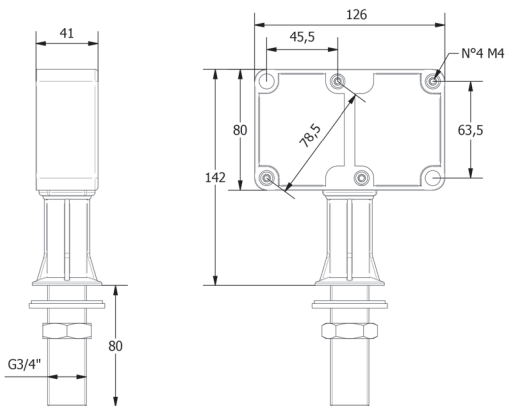
## DOUBLE FRONT SOCKET-HOLDER

### APPLICATION:

- Bench mounting
- For Schuko Electrical Socket "Palazzoli" model

### CONNECTION TAP:

- Male thread G3/4"



WARRANTY

### WEIGHT:

- 263 gr

WARRANTY 2 YEARS

# ELECTRICAL SOCKET HOLDER

## 19801.3GW

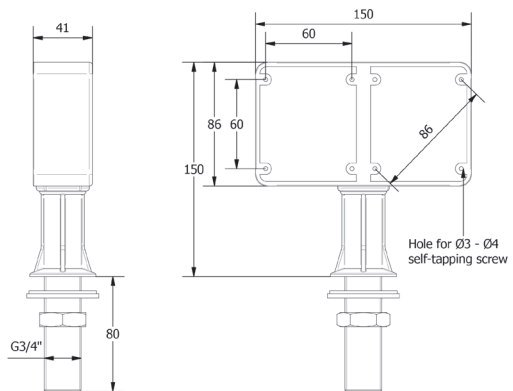
DOUBLE FRONT SOCKET-HOLDER

### APPLICATION:

- Bench mounting
- For Schuko Electrical Socket "Gewiss" model

### CONNECTION TAP:

- Male thread G3/4"



### WEIGHT:

- 198 gr

WARRANTY 2 YEARS

# ELECTRICAL SOCKET HOLDER

# 19802.3

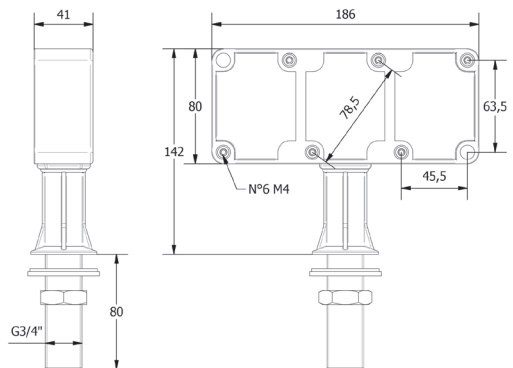
## 3-WAY SOCKET-HOLDER

### APPLICATION:

- Bench mounting
- For Schuko Electrical Socket "Palazzoli" model

### CONNECTION TAP:

- Male thread G3/4"



### WEIGHT:

- 296 gr

WARRANTY 2 YEARS

# ELECTRICAL SOCKET HOLDER

# 19803.3

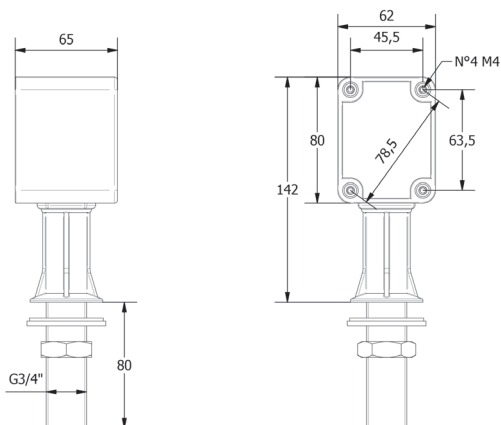
## FRONT SOCKET-HOLDER

### APPLICATION:

- Bench mounting
- For Schuko Electrical Socket "Palazzoli" model

### CONNECTION TAP:

- Male thread G3/4"



### WEIGHT:

- 228 gr

WARRANTY 2 YEARS

# ELECTRICAL SOCKET HOLDER

# 19804.3

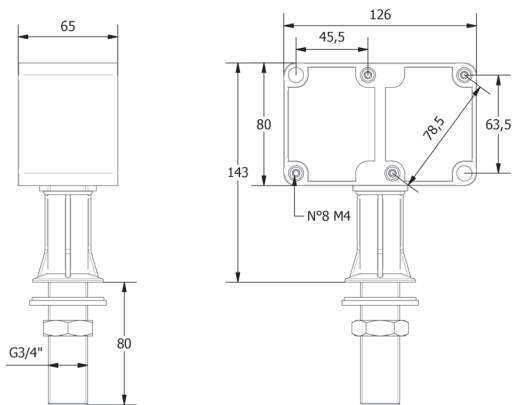
## 4-WAY SOCKET-HOLDER

### APPLICATION:

- Bench mounting
- For Schuko Electrical Socket "Palazzoli" model

### CONNECTION TAP:

- Male thread G3/4"



### WEIGHT:

- 289 gr

WARRANTY 2 YEARS



# ELECTRICAL SOCKET HOLDER

## 19804.3GW

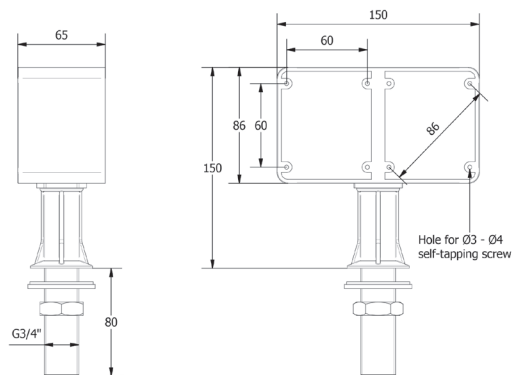
4-WAY SOCKET-HOLDER

### APPLICATION:

- Bench mounting
- For Schuko Electrical Socket "Gewiss" model

### CONNECTION TAP:

- Male thread G3/4"



### WEIGHT:

- 216 gr

WARRANTY 2 YEARS



NUOVA FAR s.r.l.

Via Giacomo Matteotti, 88/bis - 28077 Prato Sesia - NOVARA- Italy  
tel +39 0163 852.634 +39 0163 852.891 fax +39 0163 850.663  
[info@farlabs.com](mailto:info@farlabs.com) [www.farlabs.com](http://www.farlabs.com)