



**CLEAN TAPS
FOR PURE GASES**

CLEAN TAPS FOR PURE GASES

Technical Information

TAPS FOR GASES 2.0 – 3.0 – 4.0 – 5.0 with pressure reducer.

FAR developed a line of tap for several purity levels with pressure reducer. These taps can be supplied with nozzle, swagelock compressor fitting and other various connections solution.

Depending by the purity level, the materials are different, as also the working details of the tap.

2.0 Is the FAR standard line of taps, made in raw brass, PTFE sealing, EPDM orings and standard mechanical working, standard grease, loktite and welding are admitted.

3.0 The tap is ultrasound cleaned inside, chemical nikel plated inside and outside with a minimum of 17 microms , PVDF sealing, VITON orings, special ultra-pure grease omologated for Oxigen and Hydrogen, no welding and loktite are admitted.

4.0 - 5.0 The tap is ultrasound cleaned inside, chemical nikel plated inside and outside with a minimum of 17 microms, PVDF sealing, VITON orings, special ultra-pure grease omologated for Oxigen and Hydrogen, no welding and loktite are admitted, internal mechanical working with special low rugosity surface treatment.

The pressure reducer are all with Hastelloy membrane, and are available with manometer 0-3 Bars or 0-10 Bars.

For all the combination of model taps - purity level - connection models, we produce for our customers following to their detailed inquiry, a drawing with the technical details, and the price.

Here enclosed some samples of the models we produce.

CLEAN TAPS FOR PURE GASES

13010.2PG2.0

SINGLE STANDOUT

APPLICATION:

- Bench mounting

DETAILS:

- Test pressure: 9 Bars/air
- Max working pressure: 10 Bars
- Ultrasound internally cleaned

SURFACE PROTECTION:

- Epoxy powder coating RAL 7035

MATERIALS:

- Brass
- Handle in PP

HEADWORK SEALING:

- PTFE temperature working range: 0-100°

CONNECTION TAP:

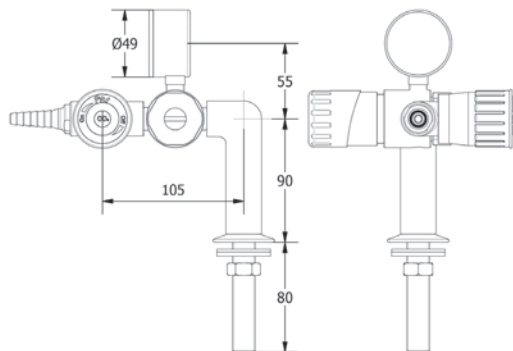
- Male thread G3/8" or G1/2"

STANDARD AND NORMS:

- EN13792:2000
- DIN12898
- DIN12918
- ISO228/1

OPTIONS:

- Manometer 0-10 bars
- Manometer 0-3 bars



WEIGHT:

- 1370 gr

WARRANTY 2 YEARS

CLEAN TAPS FOR PURE GASES

13010.2PG5.0

SINGLE STANDOUT

APPLICATION:

- Bench mounting

DETAILS:

- Test pressure: 9 Bars/air
- Max working pressure: 10 Bars
- Ultrasound internally cleaned
- No welding
- No loktite
- Internal low-rugosity surface
- Protective plastic covering

SURFACE PROTECTION:

- Epoxy powder coating RAL 7035

MATERIALS:

- Brass
- Handle in PP
- Membrane in Hastelloy
- O-rings in Viton
- Gasket in PVDF
- O2 certified grease

HEADWORK SEALING:

- PTFE temperature working range: 0-100°

CONNECTION TAP:

- Svagelock connector $\varnothing 6$ or $\varnothing 8$ or $\varnothing 10$

STANDARD AND NORMS:

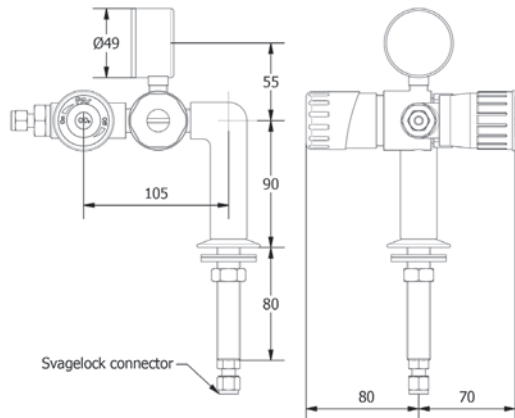
- EN13792:2000
- DIN12898
- DIN12918
- ISO228/1

OPTIONS:

- Manometer 0-10 bars
- Manometer 0-3 bars

WEIGHT:

- 1370 gr



WARRANTY 2 YEARS

CLEAN TAPS FOR PURE GASES

13053.2PG5.0

WALL MOUNTED 90° TAP

APPLICATION:

- Wall mounting

DETAILS:

- Test pressure: 9 Bars/air
- Max working pressure: 10 Bars
- Ultrasound internally cleaned
- No welding
- No loktite
- Internal low-rugosity surface
- Protective plastic covering

SURFACE PROTECTION:

- Epoxy powder coating RAL 7035

MATERIALS:

- Brass
- Handle in PP
- Membrane in Hastelloy
- O-rings in Viton
- Gasket in PVDF
- O2 certified grease

HEADWORK SEALING:

- PTFE temperature working range: 0-100°

CONNECTION TAP:

- Svalgelock connector $\varnothing 6$ or $\varnothing 8$ or $\varnothing 10$

STANDARD AND NORMS:

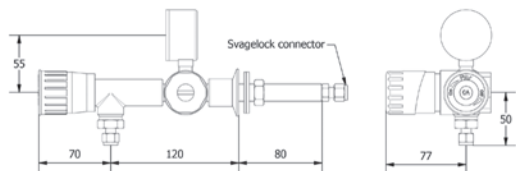
- EN13792:2000
- DIN12898
- DIN12918
- ISO228/1

OPTIONS:

- Manometer 0-10 bars
- Manometer 0-3 bars

WEIGHT:

- 1660 gr



WARRANTY 2 YEARS

CLEAN TAPS FOR PURE GASES

13310.0PG5.0

PURE GAS PANEL REMOTE

APPLICATION:

- Wall mounting

DETAILS:

- Test pressure: 9 Bars/air
- Max working pressure: 10 Bars
- Ultrasound internally cleaned
- No welding
- No loktite
- Internal low-rugosity surface
- Protective plastic covering

SURFACE PROTECTION:

- Epoxy powder coating RAL 7035

MATERIALS:

- Brass chemical nickel plated
- Handle in PP
- Membrane in Hastelloy
- O-rings in Viton
- Gasket in PVDF
- O2 certified grease

HEADWORK SEALING:

- PTFE temperature working range: 0-100°

CONNECTION TAP:

- Copper tubes $\varnothing 10 \times 1$ nickel plated

STANDARD AND NORMS:

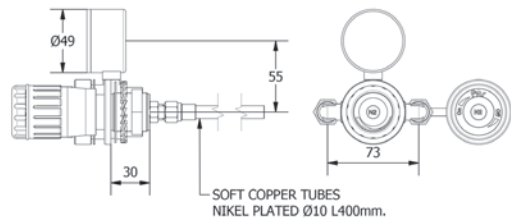
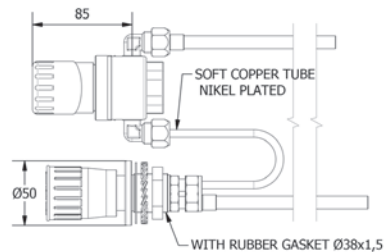
- EN13792:2000
- DIN12898
- DIN12918
- ISO228/1

OPTIONS:

- Manometer 0-10 bars
- Manometer 0-3 bars

WEIGHT:

- 1675 gr



WARRANTY 2 YEARS



NUOVA FAR s.r.l.

Via Giacomo Matteotti, 88/bis - 28077 Prato Sesia - NOVARA- Italy
tel +39 0163 852.634 +39 0163 852.891 fax +39 0163 850.663
info@farlabs.com www.farlabs.com